

# PI33xx-xx-EVAL1 Cool-Power® ZVS Buck Regulator Evaluation Board



| Contents                                   | Page |
|--|------|
| Introduction                               | 1    |
| Evaluation Board Supply & Load Connections | 2    |
| Bill of Materials                          | 3    |
| Evaluation Board Notes                     | 4    |
| Optional Test Points & Component Locations | 4    |
| Board Dimensions                           | 4    |
| PCB Metal Layers                           | 4    |

## Introduction

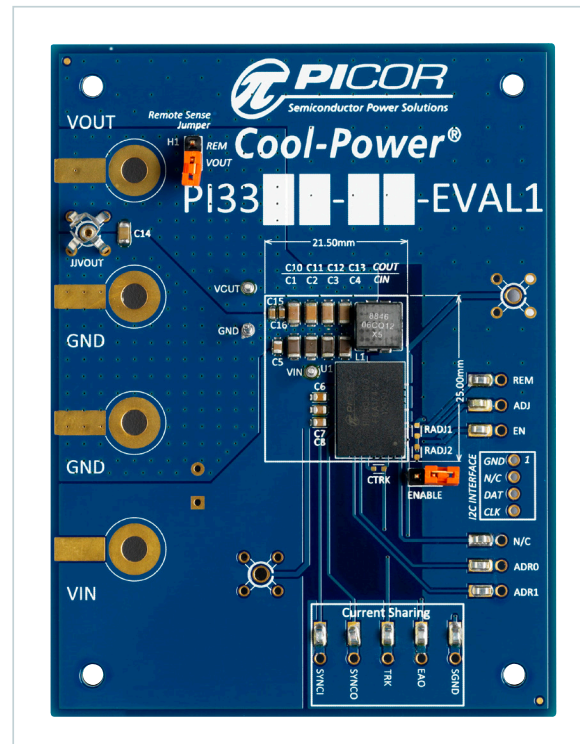
The PI33xx-xx-EVAL1 evaluation board demonstrates the features and benefits of the Picor Cool-Power® ZVS Buck Regulator PI33XX family. The board features the ZVS Buck Regulator SIP (U1), along with inductor (L1), ceramic input (C1-C8), and output capacitors (C10-C16).

The evaluation board provides several options for making input power (Vin and GND) and output load (Vout and GND) connections. The user can solder tab style banana jacks or wire, use threaded binding posts secured by a retaining nut, or to simply use a #6 nut and bolt connection.

All the I/O pins are labeled and routed to the board edge for easy access. Each I/O pin is accompanied with an adjacent 50 mil through-hole for adding a test point or to facilitate wiring to external circuitry.

The board has a scope tip jack for measuring output voltage (Vout), and has locations for two optional jacks for measuring Vin and the switching node of the regulator (See Figure 4). There are two headers installed: an ENABLE jumper which can be used to enable or disable the converter and the remote sense jumper (H1) that will connect the buck's remote sense pin to the output at the Vout terminal.

Figure 1.  
PI33xx-xx-EVAL1  
Evaluation Board\*



\* RSYNC1 resistor not shown

## Introduction (Cont.)

For PI33XX-20 regulators only, there is a location for a 4-pin I<sup>2</sup>C header that allows users to set certain device parameters and to read the fault registers of the regulator. Each regulator can be assigned an address from 0 to 7 using the two tri-state address pins (ADR0 and ADR1).

Connections required for parallel regulator operation are grouped together (labeled Current Sharing) to allow for easy connection between evaluation boards. There is a zero ohm jumper between SYNCI and SGND to ensure that SYNCI is grounded when not used for paralleling PI33XX regulators. This resistor must be removed for parallel operation.

There are two unpopulated resistor footprints (RADJ1 and RADJ2) used in trimming the output voltage and a capacitor footprint (CTRK) to add additional capacitance to the output tracking pin. Please refer to the product datasheet for more detailed information on these topics.

The evaluation board is constructed using 4 layers of 2 oz copper and is routed to optimize the regulation path between input and output voltage, which reduces the parasitic losses and yields the best efficiency.

## Evaluation Board Supply & Load Connections

Figure 2 displays the recommended connections for input supply and output loading, and the best test points for measuring input and output voltages. All the I/O pins are brought out to the edge to allow for easy measurement and/or connection to the user's external circuitry.

Figure 2.  
Evaluation Board  
Measurement  
Connection

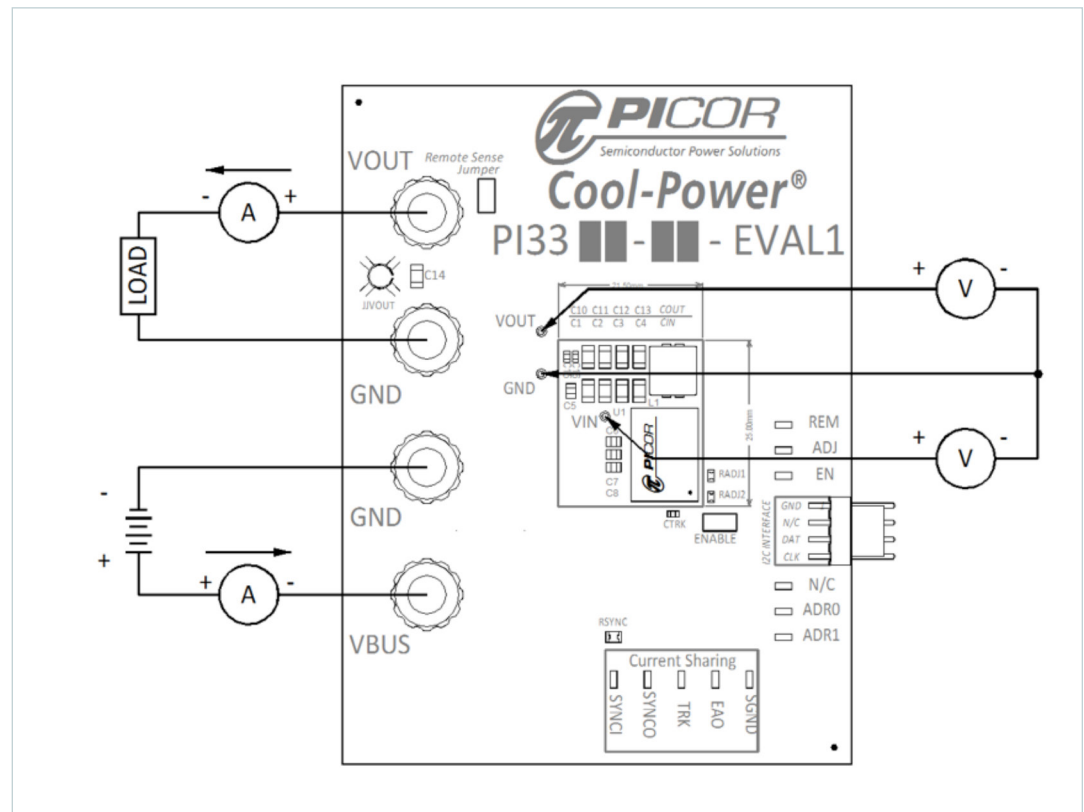
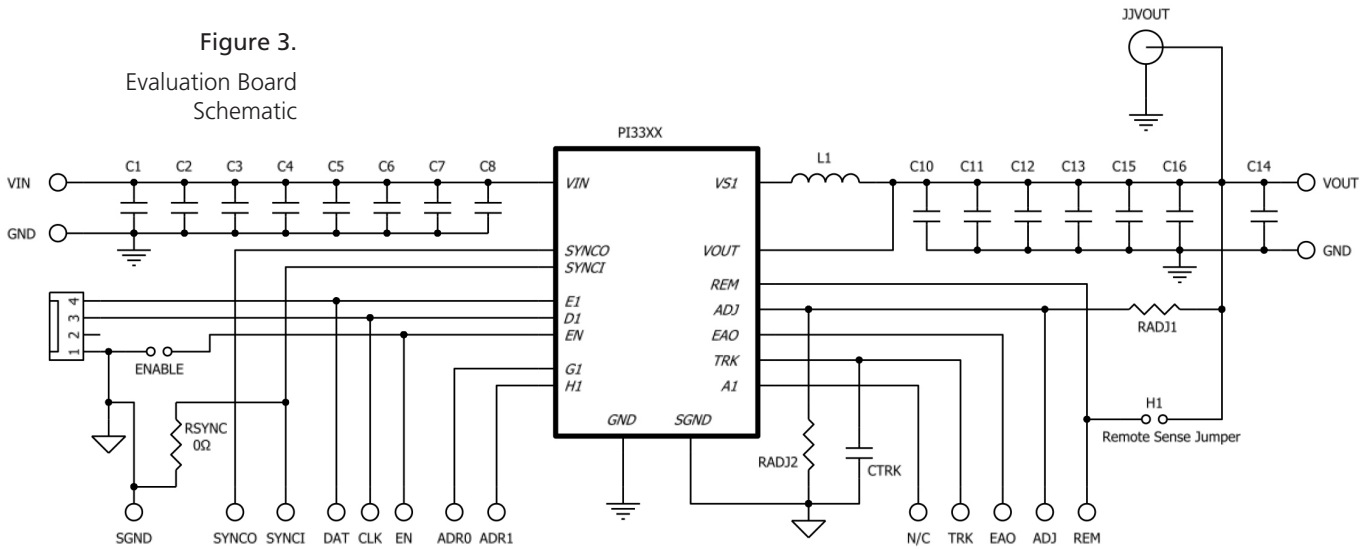


Figure 3.  
Evaluation Board  
Schematic



## Bill of Materials

Table 1.  
Bill of Material  
Picor Cool-Power®  
ZVS Buck Regulator  
Evaluation Board

| Device | Qty | Designators          | Value                  | Description                    | Manufacturer | Part Number        |
|--------|-----|----------------------|------------------------|--------------------------------|--------------|--------------------|
| PI3312 | 1   | U1                   | 2.5 V<br>ZVS Regulator | ZVS Regulator                  | PICOR        | PI3312-00-LGIZ     |
|        | 4   | C10, C11<br>C12, C13 | 100 $\mu$ F<br>6 V     | Ceramic<br>Output<br>Capacitor | Murata       | GRM31CR60J107ME39L |
|        | 1   | L1                   | 200 nH                 | Buck Inductor                  | Cooper       | FPT705-200-R       |
| PI3301 | 1   | U1                   | 3.3 V<br>ZVS Regulator | ZVS Regulator                  | PICOR        | PI3301-00-LGIZ     |
|        | 4   | C10, C11<br>C12, C13 | 100 $\mu$ F<br>6V      | Ceramic<br>Output<br>Capacitor | Murata       | GRM31CR60J107ME39L |
|        | 1   | L1                   | 200 nH                 | Buck Inductor                  | Cooper       | FPT705-200-R       |
| PI3302 | 1   | U1                   | 5 V<br>ZVS Regulator   | ZVS Regulator                  | PICOR        | PI3302-00-LGIZ     |
|        | 4   | C10, C11<br>C12, C13 | 47 $\mu$ F<br>16 V     | Ceramic<br>Output<br>Capacitor | Murata       | GRM31CR61A476ME15  |
|        | 1   | L1                   | 200 nH                 | Buck Inductor                  | Cooper       | FPT705-200-R       |
| PI3303 | 1   | U1                   | 12 V<br>ZVS Regulator  | ZVS Regulator                  | PICOR        | PI3303-00-LGIZ     |
|        | 4   | C10, C11<br>C12, C13 | 22 $\mu$ F<br>25 V     | Ceramic<br>Output<br>Capacitor | Murata       | GRM31CR61E226KE15L |
|        | 1   | L1                   | 230 nH                 | Buck Inductor                  | Cooper       | FPT705-230-R       |
| PI3305 | 1   | U1                   | 15 V<br>ZVS Regulator  | ZVS Regulator                  | PICOR        | PI3305-00-LGIZ     |
|        | 4   | C10, C11<br>C12, C13 | 22 $\mu$ F<br>25 V     | Ceramic<br>Output<br>Capacitor | Murata       | GRM31CR61E226KE15L |
|        | 1   | L1                   | 230 nH                 | Buck Inductor                  | Cooper       | FPT705-230-R       |

## Bill of Materials (Cont.)

Table 1.  
(Continued)

| Device           | Qty | Designators  | Value               | Description                       | Manufacturer | Part Number        |
|------------------|-----|--|---------------------|-----------------------------------|--------------|--------------------|
| Common           | 10  | ADJ, ADR0<br>ADR1, EAO<br>EN, REM<br>SGND, SYNCI<br>SYNCO, TRK |                     | SM<br>Testpoint                   | Keystone     | 5015               |
|                  | 4   | C1, C2<br>C3, C4   | 4.7 $\mu$ F<br>50 V | Ceramic<br>Capacitor<br>50 V, X7R | Murata       | GRM31CR71H475KA12L |
|                  | 4   | C5, C6<br>C7, C8   | 0.1 $\mu$ F<br>50 V | Ceramic<br>Capacitor              | TDK          | C2012X7R1H104K     |
|                  | 1   | C14  | 0.1 $\mu$ F<br>50 V | Ceramic<br>Capacitor              | Murata       | RM319R71H104KA01D  |
|                  | 2   | C15, C16   | 1 $\mu$ F<br>50 V   | Ceramic<br>Capacitor              | Murata       | GRM188R71C105KA12J |
|                  | 1   | CTRK   | 47 nF               | Ceramic<br>Capacitor              | Murata       | GRM188F51H473ZA01D |
|                  | 2   | ENABLE<br>H1   |                     | Header<br>Jumper                  | Samtec       | TSW-148-07-F-S     |
|                  | 3   | GND, VIN<br>VOUT   |                     | TH<br>Testpoint                   | Vector       | K24                |
|                  | 1   | JJVOUT   |                     | Johnson Jack                      | Tektronix    | 131503100          |
|                  | 1   | PCB  |                     | PI33XX-xx-<br>EVAL1 PCB           | PICOR        | PCB0108            |
|                  | 1   | RSYNCI   | 0 $\Omega$          | 0603 Resistor                     | Rohm         | MCR03EZPJ000       |
| User<br>Optional | 2   | RADJ1<br>RADJ2   | User<br>Defined     | 0603 Trim<br>resistors            | TBD          | TBD                |
|                  | 2   | JJVIN<br>JJVSW   | Optional            | Scope Tip Jack                    | Tektronix    | 131503100          |

## Evaluation Board Notes

The evaluation board has solder mask openings on the bottom side of the board to allow for the option of additional output capacitance (4 x 1206 or 2 x 1812).

There are two additional, unmarked, scope tip test points (circled in red in figure 4) that allow the user to measure VIN and the switching node (VS1). These are labeled as JJVIN and JJVSW in Figure 4.

There are two thru-hole pads (blue circle) for the addition of an electrolytic bulk storage capacitor. This capacitor is required when the evaluation board is connected to the input voltage source through long leads. A 100  $\mu$ F, 50 V Electrolytic is recommended with an ESR between 20 and 50 m $\Omega$ .

The two pins labeled as "N/C" (highlighted in green box in figure 4) are not electrically connected to each other.

There is an internal connection within the PI33xx between grounds SGND and PGND. It is not required to tie these two grounds together externally and these two grounds are not connected together on the evaluation board.

Figure 4.  
Optional Test Points  
& Component Locations

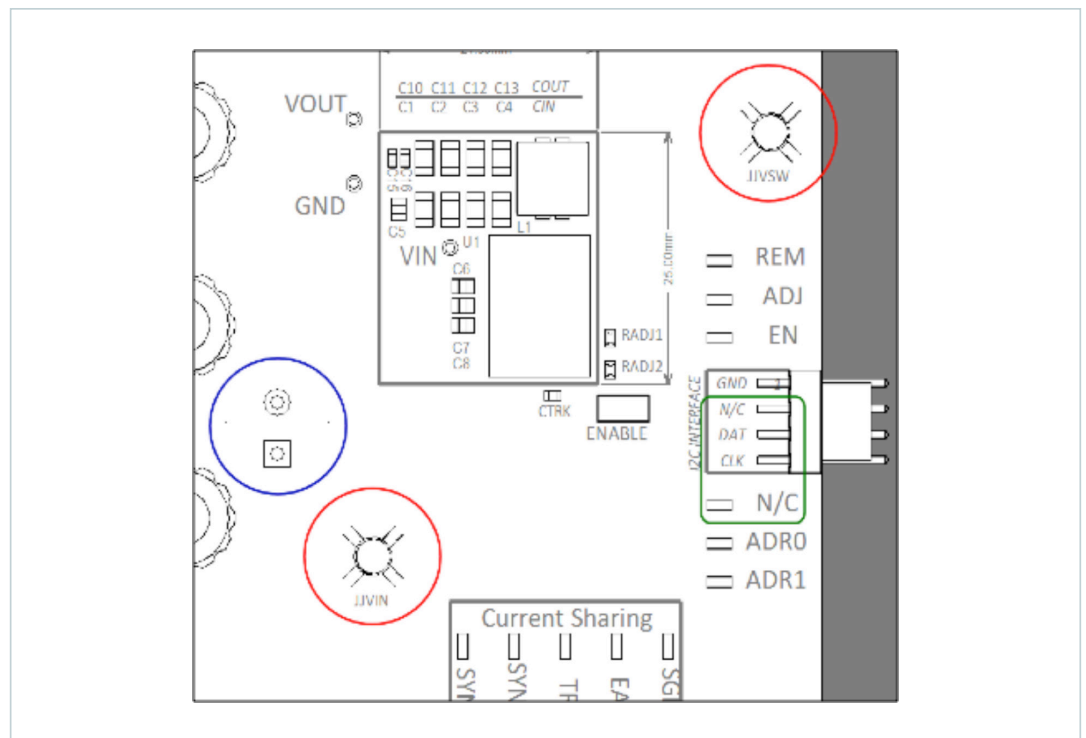


Figure 5.  
PI33xx-xx-Eval1  
Board Dimensions

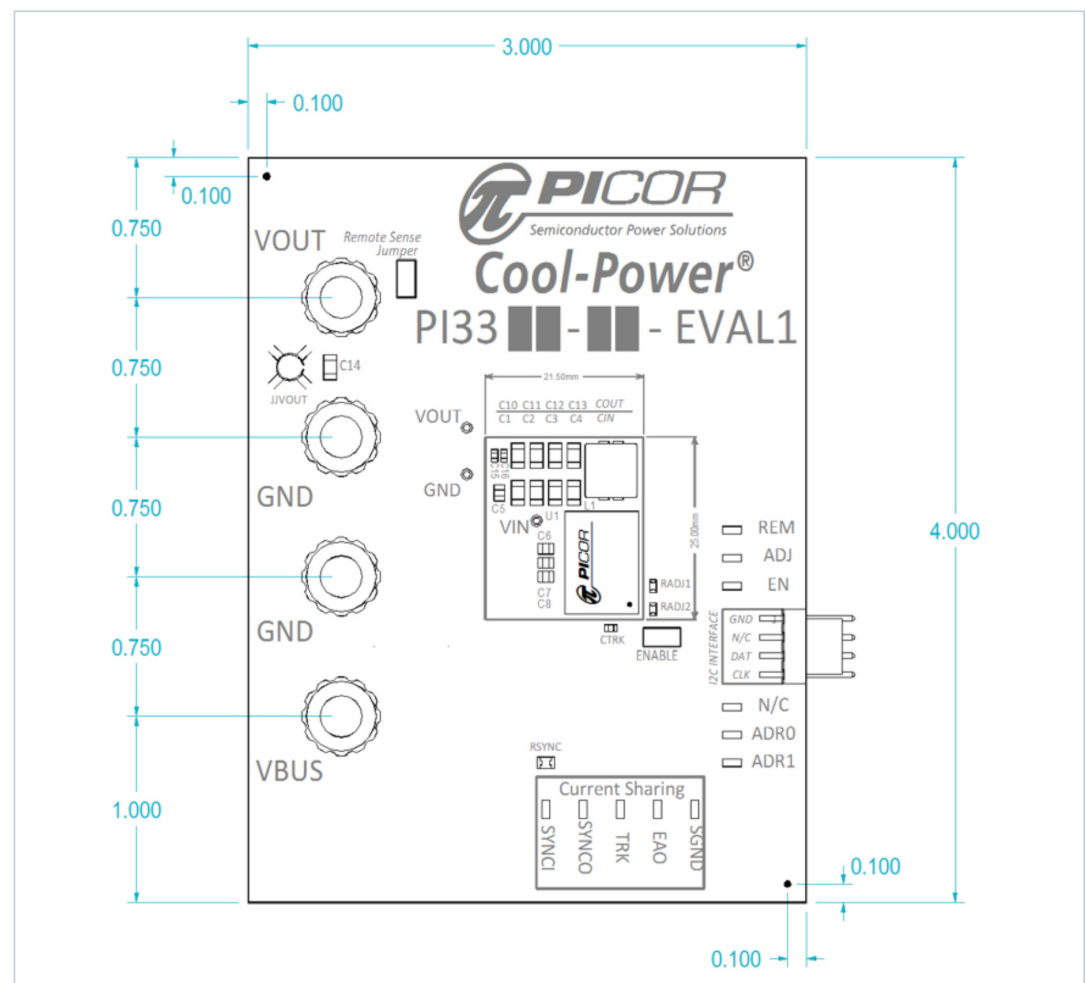
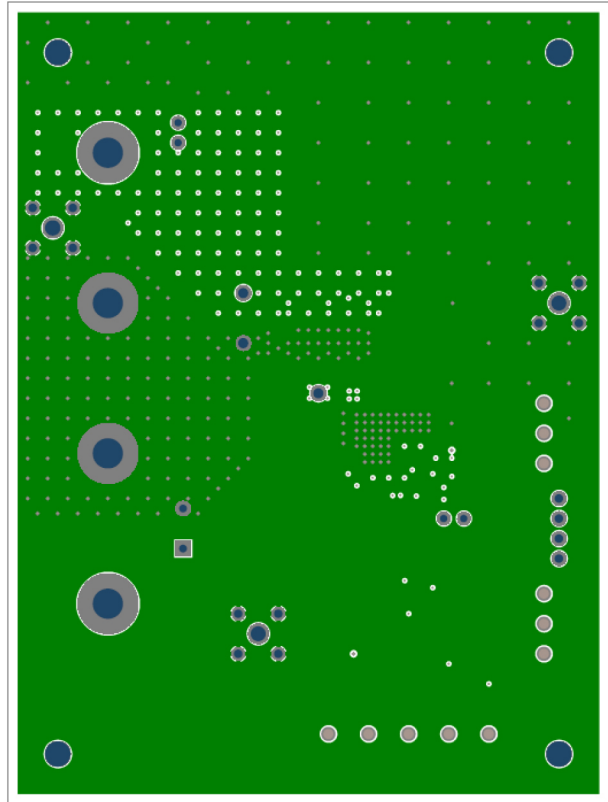


Figure 6.  
PCB Metal Layers

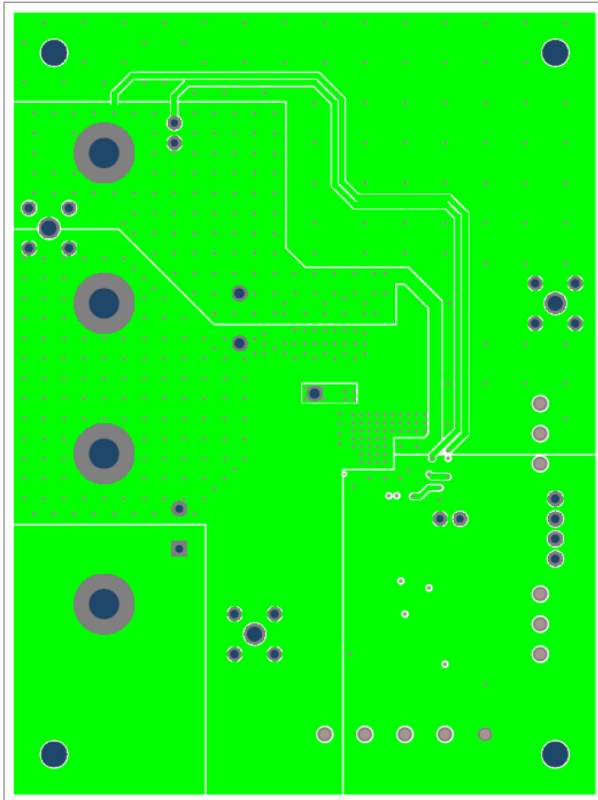
Top - Copper



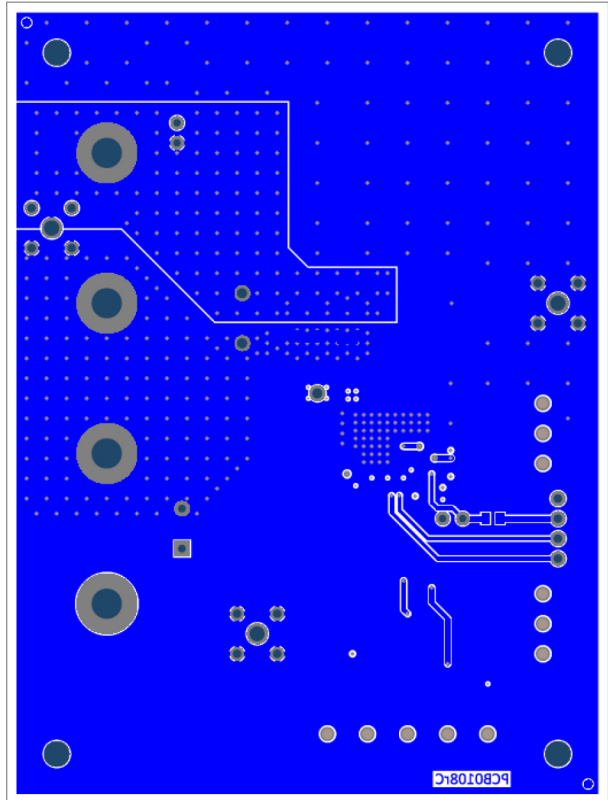
Mid Layer 1 - Copper



Mid Layer 2 - Copper



Bottom - Copper





*The Power Behind Performance*

Компания «Океан Электроники» предлагает заключение долгосрочных отношений при поставках импортных электронных компонентов на взаимовыгодных условиях!

Наши преимущества:

- Поставка оригинальных импортных электронных компонентов напрямую с производств Америки, Европы и Азии, а так же с крупнейших складов мира;
- Широкая линейка поставок активных и пассивных импортных электронных компонентов (более 30 млн. наименований);
- Поставка сложных, дефицитных, либо снятых с производства позиций;
- Оперативные сроки поставки под заказ (от 5 рабочих дней);
- Экспресс доставка в любую точку России;
- Помощь Конструкторского Отдела и консультации квалифицированных инженеров;
- Техническая поддержка проекта, помощь в подборе аналогов, поставка прототипов;
- Поставка электронных компонентов под контролем ВП;
- Система менеджмента качества сертифицирована по Международному стандарту ISO 9001;
- При необходимости вся продукция военного и аэрокосмического назначения проходит испытания и сертификацию в лаборатории (по согласованию с заказчиком);
- Поставка специализированных компонентов военного и аэрокосмического уровня качества (Xilinx, Altera, Analog Devices, Intersil, Interpoint, Microsemi, Actel, Aeroflex, Peregrine, VPT, Syfer, Eurofarad, Texas Instruments, MS Kennedy, Miteq, Cobham, E2V, MA-COM, Hittite, Mini-Circuits, General Dynamics и др.);

Компания «Океан Электроники» является официальным дистрибьютором и эксклюзивным представителем в России одного из крупнейших производителей разъемов военного и аэрокосмического назначения «JONHON», а так же официальным дистрибьютором и эксклюзивным представителем в России производителя высокотехнологичных и надежных решений для передачи СВЧ сигналов «FORSTAR».



## JONHON

«JONHON» (основан в 1970 г.)

Разъемы специального, военного и аэрокосмического назначения:

(Применяются в военной, авиационной, аэрокосмической, морской, железнодорожной, горно- и нефтедобывающей отраслях промышленности)

«FORSTAR» (основан в 1998 г.)

ВЧ соединители, коаксиальные кабели, кабельные сборки и микроволновые компоненты:

(Применяются в телекоммуникациях гражданского и специального назначения, в средствах связи, РЛС, а так же военной, авиационной и аэрокосмической отраслях промышленности).



Телефон: 8 (812) 309-75-97 (многоканальный)

Факс: 8 (812) 320-03-32

Электронная почта: [ocean@oceanchips.ru](mailto:ocean@oceanchips.ru)

Web: <http://oceanchips.ru/>

Адрес: 198099, г. Санкт-Петербург, ул. Калинина, д. 2, корп. 4, лит. А